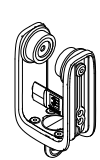
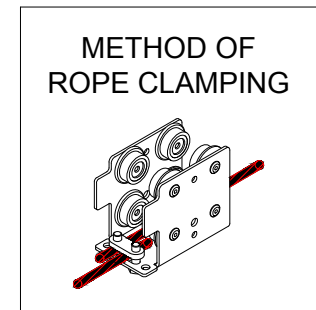
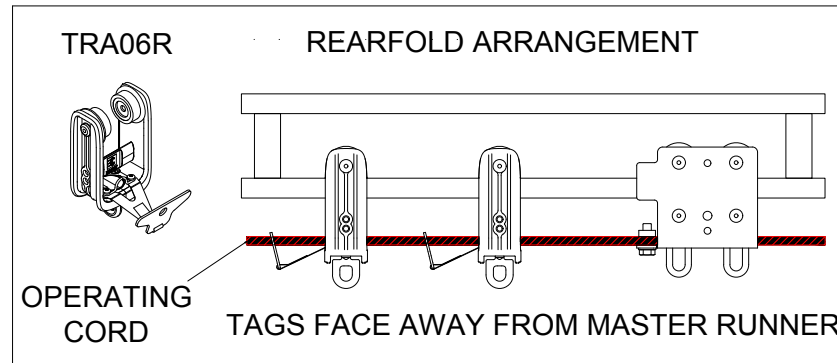
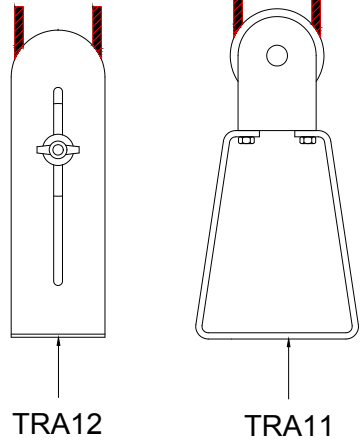
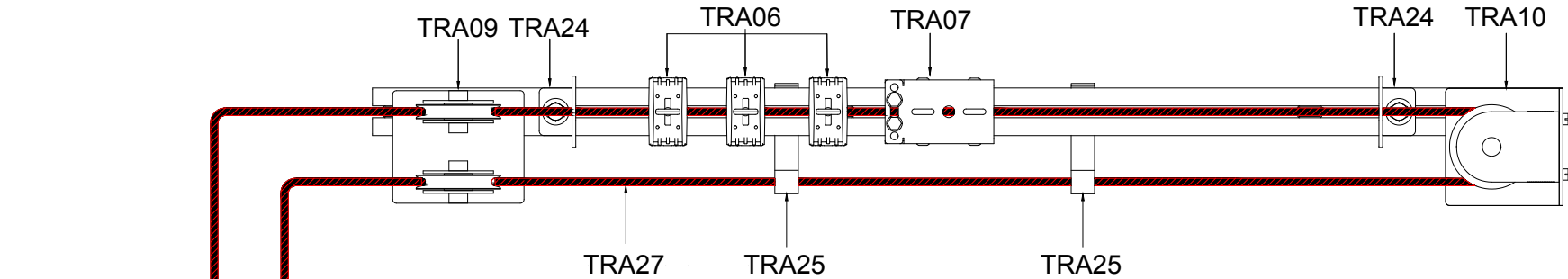


DWG No
TRA-CD2

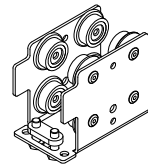
DO NOT SCALE

THIRD ANGLE PROJECTION

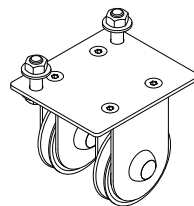
DXF File Name



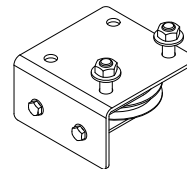
TRA06



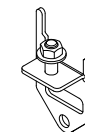
TRA07



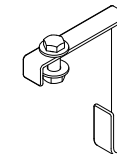
TRA09



TRA10



TRA24



TRA25



TRIPLE E LTD

16 AIRPORT IND EST
MAIN ROAD, BIGGIN HILL
KENT, TN16 3BW

TEL: +44 (0) 1959 570333
FAX: +44 (0) 1959 570888

© TRIPLE E LTD

THE CONTENTS OF THIS
DRAWING CONSTITUTES
DESIGN COPYRIGHT AND
MAY NOT BE REPRODUCED
OR DISCLOSED TO A THIRD
PARTY WITHOUT PRIOR
PERMISSION IN WRITING
FROM TRIPLE E LTD

TITLE Standard Wipe Track
Viewed From Underside

ALL DIMENSIONS IN
MILLIMETRES (mm)
TOLERANCES UNLESS
OTHERWISE STATED
DIMENSIONAL ± 0.2

MATERIAL

FINISH

SPECIAL INSTRUCTIONS

DRAWN LE

APPD

PART No

SCALE

DATE 2017

DWG No Rev