



Erail SPECIFICATION

Page 1

Erail Description.

Erail is a compact profile extruded aluminium track, with a comprehensive range of component parts that enables it to be used for all but the heaviest professional main stage curtains.

Operation of Erail is almost silent by the use of ball raced nylon wheels, making it an ideal choice for small stages, conference halls, hotels, and school halls.

If a cord system is required, Erail uses the standard matt black pre-stretched polyester cord used on other TRIPLE E tracks. Hand or motorised winches are available for operating Erail, or just a tensioned floor pulley.

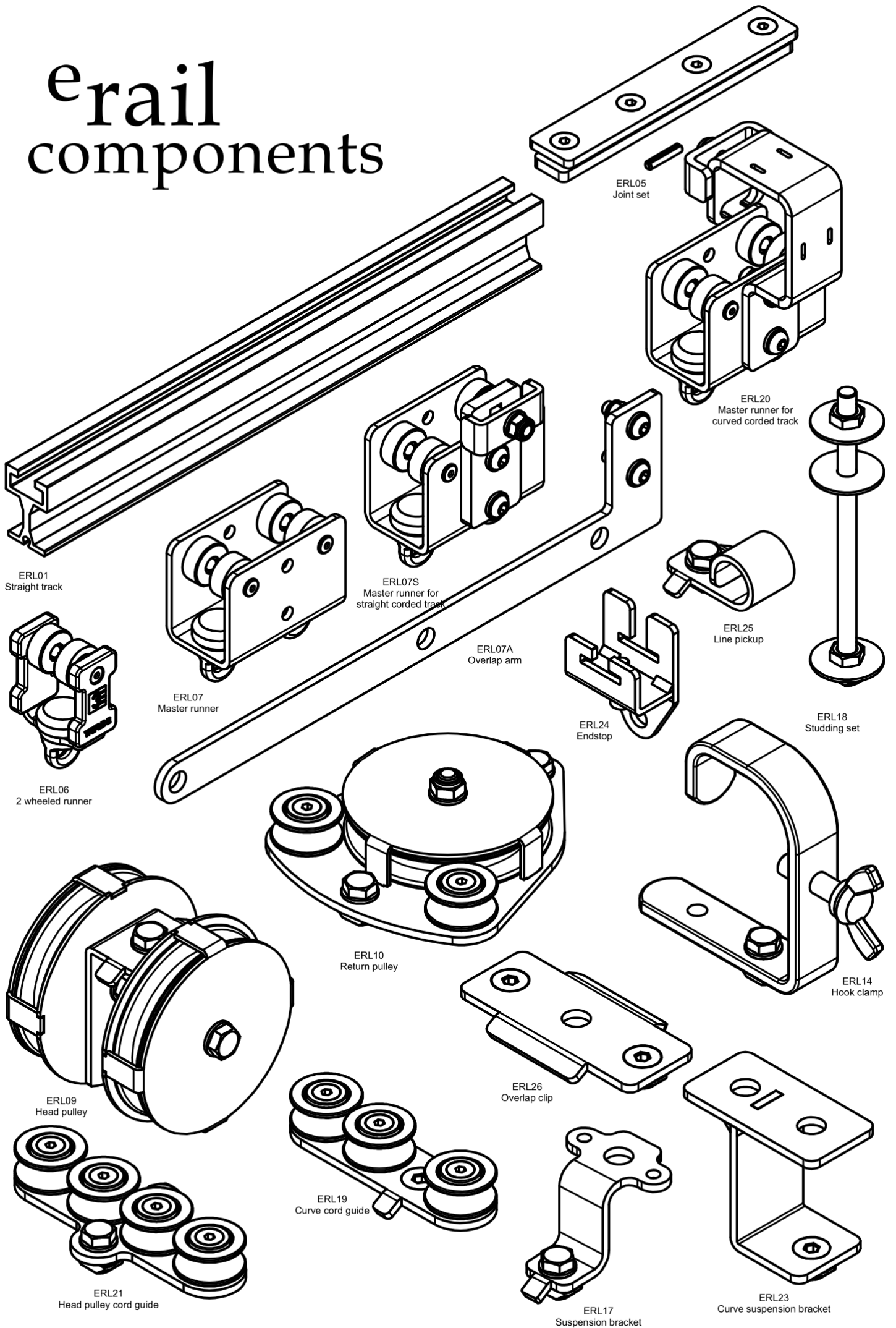
Erail can be rolled to any radius; the minimum is 500mm, (1' 8"). Erail is stocked in 6.1m (20 feet) lengths.

The external dimensions are 25mm (1") wide x 37mm high (1 1/2"). The track is configured as an 'I' beam lower section with a Tee slot above. The carrier wheels run between the flanges of the beam. Erail carriers are 24mm (1") wide for calculating stacking distances. Carriers are normally attached to curtains at 300 mm, 250mm or 200mm centres. The leading carrier is 70mm (2 3/4") wide and this can be fitted with an overlap arm if required. The upper channel accepts an 8mm threaded tee nut with which to suspend the track with a selection of standard or Unistrut type brackets and studding. In the bottom centre of the extrusion is a keyhole slot that accepts a roll pin to align the running surfaces when the track sections are joined. Each joint set comprises a flat plate with 4 grub screws that fits into the top slot and 1 roll pin.

Corded track systems are available in the following configurations.

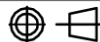
- 1) Straight wipe track where a single curtain travels from one end to the other.
- 2) Straight track with lead carriers fitted with overlap arms for a pair of curtains that stack at each end of the track and meet in the centre.
- 3) Straight track sections where the centre of the tracks are offset for a longer and more substantial overlap on bigger curtains. This configuration enables the track to be clamped to a flown bar very easily.
- 4) Curved track wipe where a single curtain travels from one end to the other
- 5) Curved track with lead carriers fitted with overlap arms for a pair of curtains that stack at each end of the track and meet in the centre.
- 6) Curved track where the centre sections of track are separated by overlap clips this gives a more substantial overlap for bigger curtains

erail components



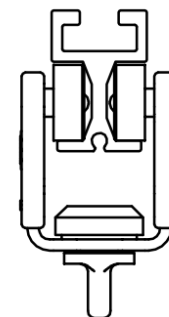
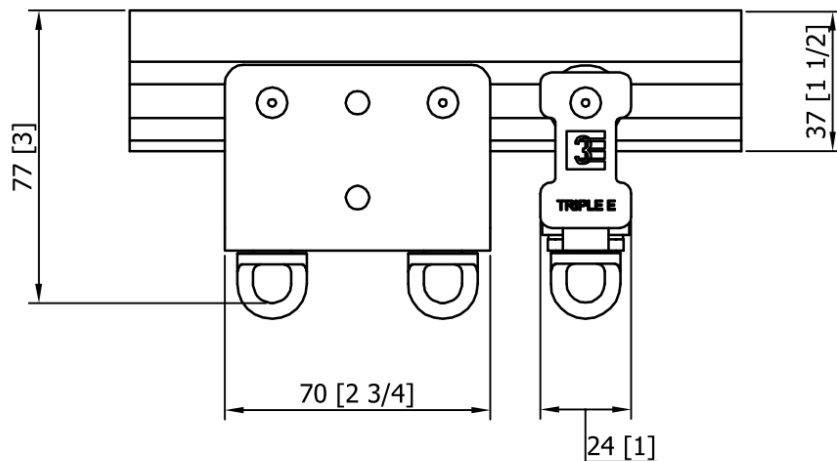
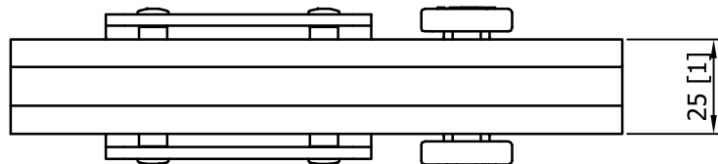
DWG NO

DO NOT SCALE



THIRD ANGLE PROJECTION

DXF File Name



TRIPLE E LTD

16 AIRPORT IND EST
MAIN ROAD, BIGGIN HILL
KENT, TN16 3BW

TEL: +44 (0) 1959 570333
FAX: +44 (0) 1959 570888

© TRIPLE E LTD

THE CONTENTS OF THIS
DRAWING CONSTITUTES
DESIGN COPYRIGHT AND
MAY NOT BE REPRODUCED
OR DISCLOSED TO A THIRD
PARTY WITHOUT PRIOR
PERMISSION IN WRITING
FROM TRIPLE E LTD

TITLE E-Rail Dimensions

ALL DIMENSIONS IN
MILLIMETRES (mm)
TOLERANCES UNLESS
OTHERWISE STATED
DIMENSIONAL ±0.2

MATERIAL mixed

FINISH black

SPECIAL INSTRUCTIONS

DRAWN GG

APPD

PART No

SCALE 1:2

DATE 29/11/11

DWG No Rev
