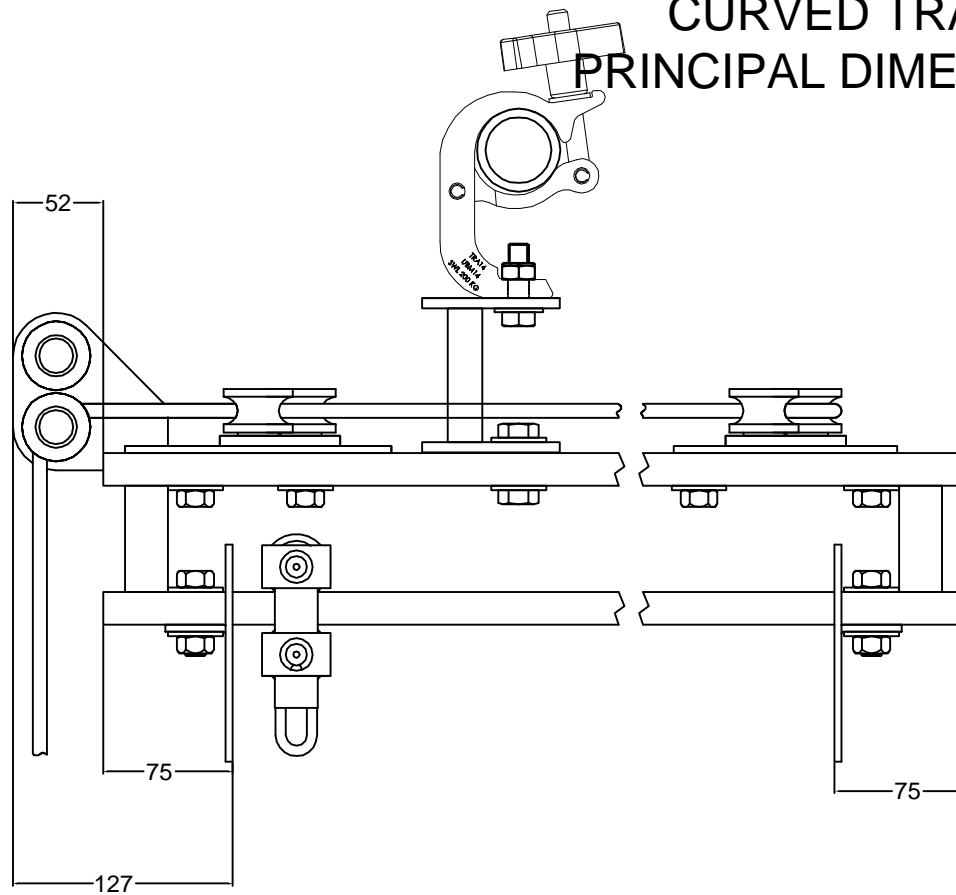
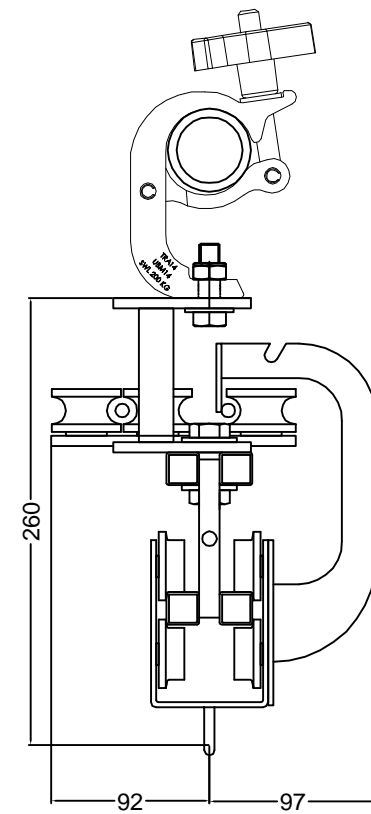


UNITRACK CURVED TRACK PRINCIPAL DIMENSIONS



HEAD PULLEY

RETURN PULLEY



CROSS SECTION



© Triple E Ltd
www.3-eee.com