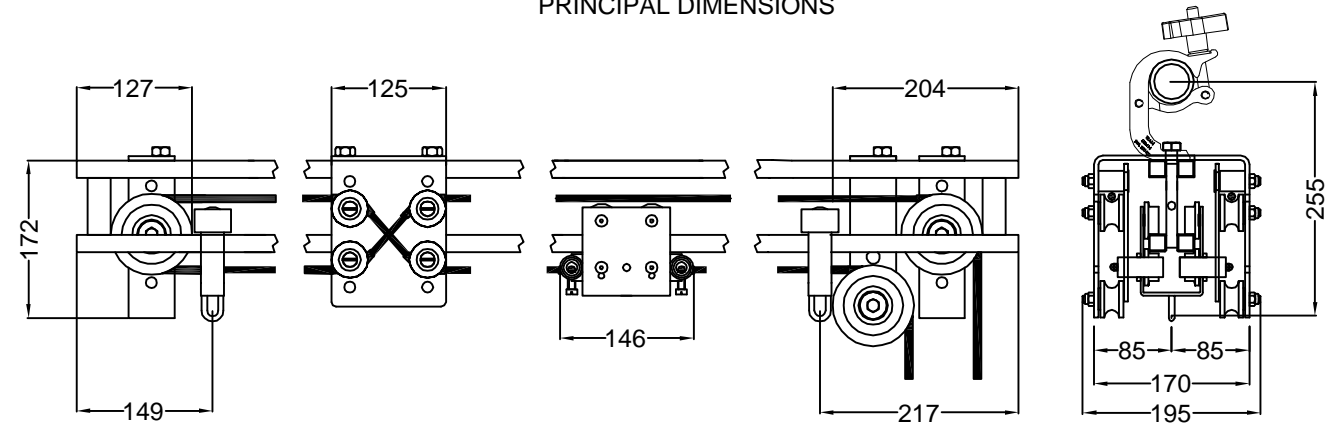


UNITRACK
SIDE CORD
PRINCIPAL DIMENSIONS



RETURN PULLEY

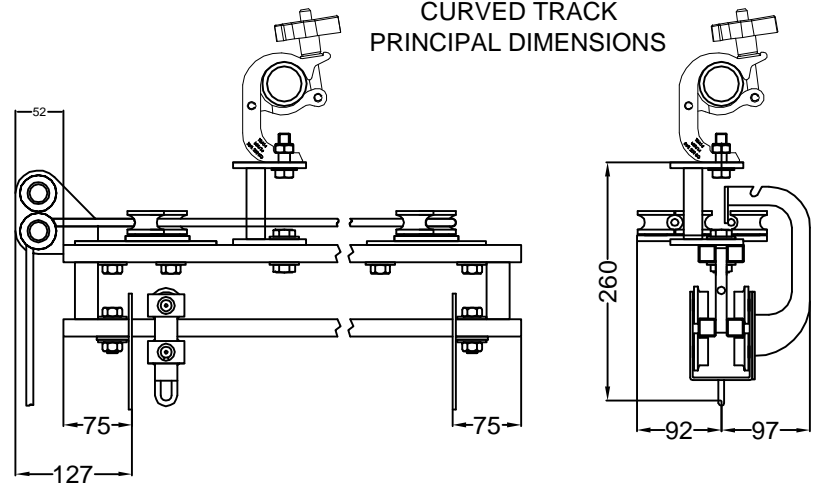
CENTRE
OVERLAP
CORD DIVERTER

MASTER RUNNER

HEAD PULLEY
SET

CROSS SECTION
DOUBLE SIDE CORD
TRACK SYSTEM

UNITRACK
CURVED TRACK
PRINCIPAL DIMENSIONS

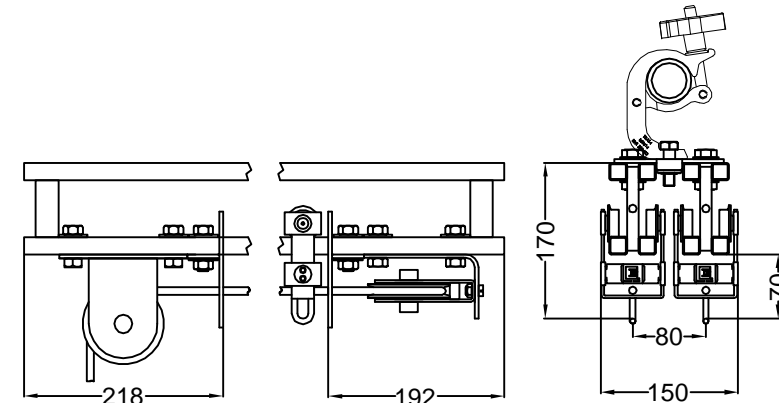


HEAD PULLEY

RETURN PULLEY

CROSS SECTION

UNITRACK
STRAIGHT TRACK
PRINCIPAL DIMENSIONS

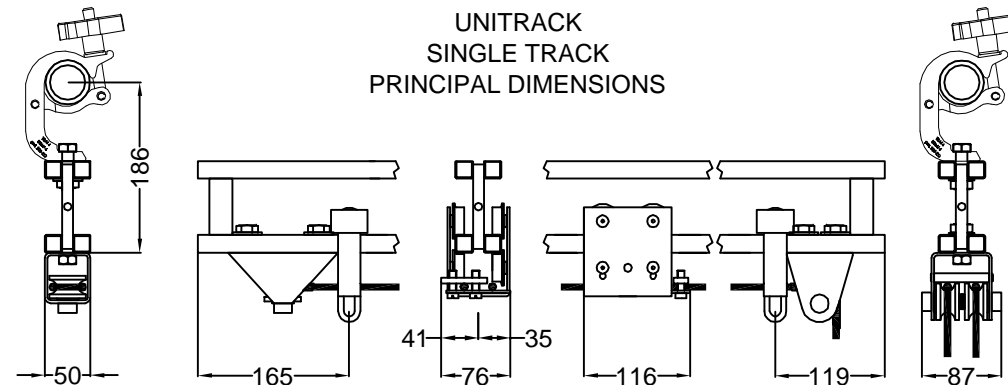


HEAD PULLEY

RETURN PULLEY

CROSS SECTION

UNITRACK
SINGLE TRACK
PRINCIPAL DIMENSIONS

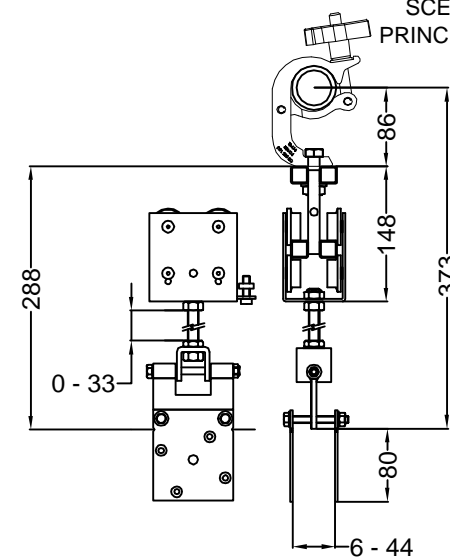


RETURN
PULLEY

SECTION AND SIDE VIEW
OF SCENERY CARRIER / MASTER RUNNER

HEAD
PULLEY

UNITRACK
SCENERY CARRIER
PRINCIPAL DIMENSIONS



SCENERY CARRIER
WITH
STANDARD BOLTS
(WIDER SCENERY
REQUIRES LONGER
BOLTS)